

# SF-355

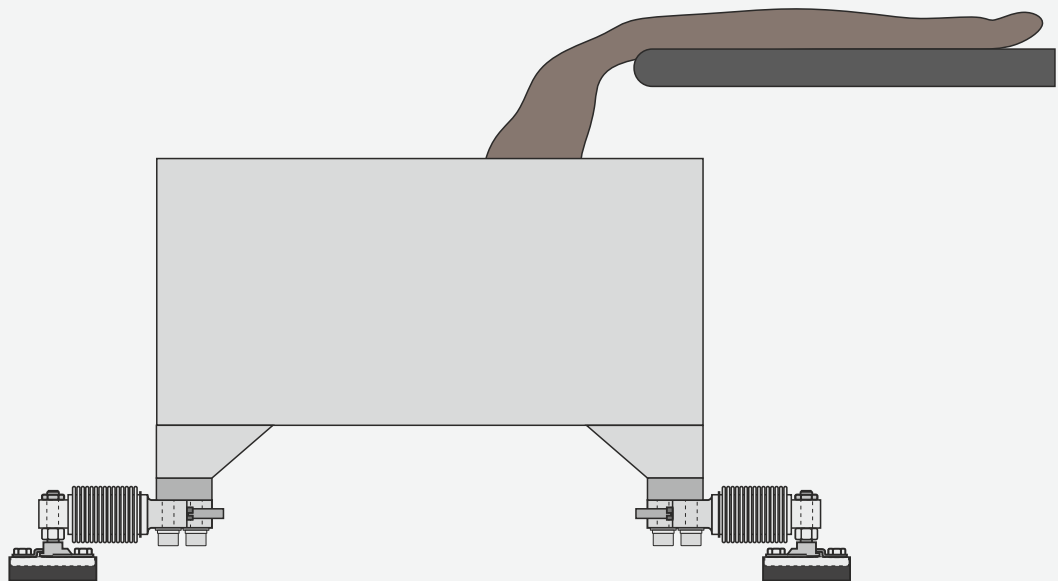
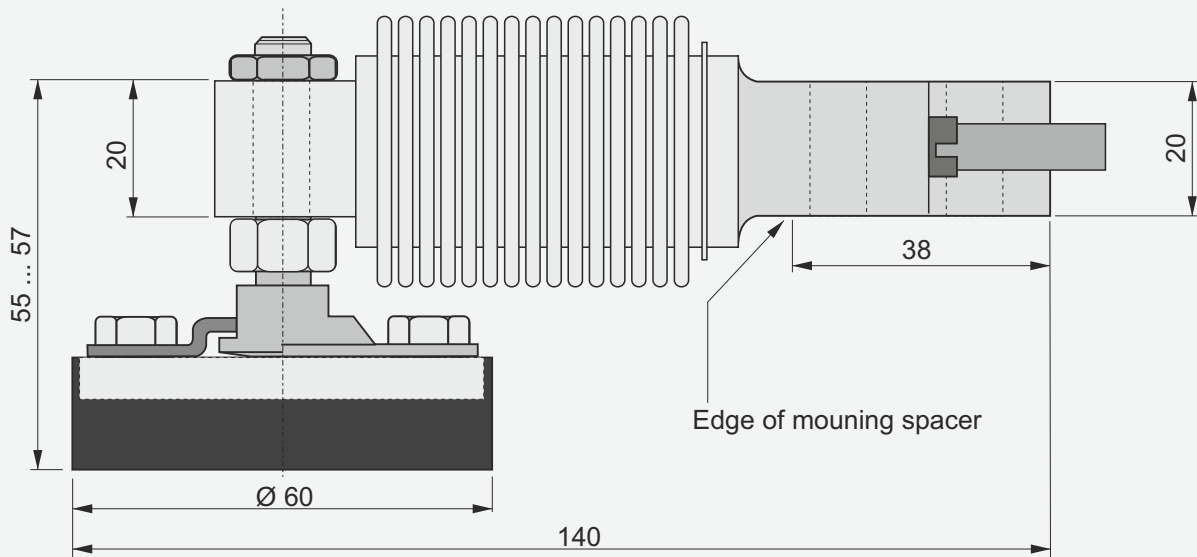
Self Aligning Foot for Model 355

**SENSOR**  
TECHNIQUES LIMITED



## Self Aligning Foot for Model 355

- Low profile self aligning foot
- Available for load cell capacities 5 kg - 250 kg
- Rubber and stainless steel construction
- Excellent load introduction
- Quick, simple installation
- Applications include platform scales & tank weighing



All Dimensions in mm  
Specifications are subject to change without prior notice

DS-SF-355-2, 11/18